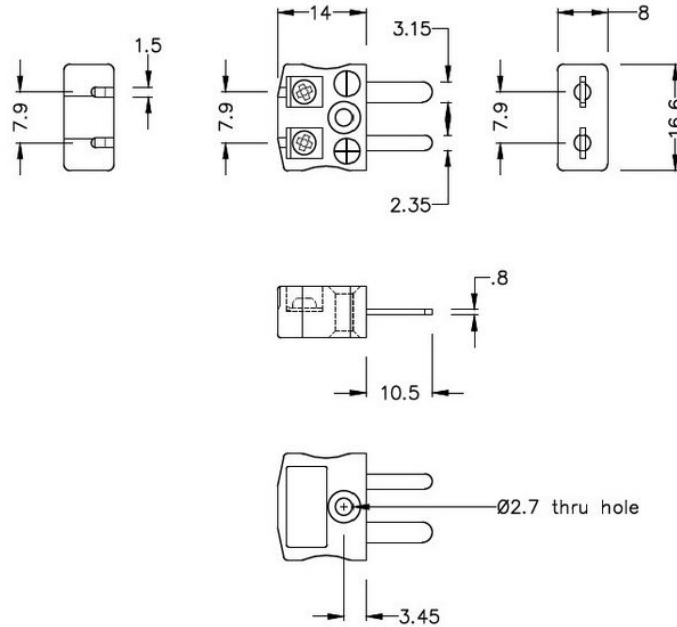


Miniature Quick Wire Connector Thermocouple Plug - Socket JM-CU-MQ-FQ Type CU JIS



Miniature in-line Plug - Quick Wire
(dimensions in mm)



Miniature in-line Socket - Quick Wire
(dimensions in mm)



Labfacility are the UK's leading manufacturer of Temperature Sensors, Thermocouple Connectors and associated Temperature Instrumentation and stockings of Thermocouple Cables. The Company has been trading since 1971 and is ISO9001 accredited.

Miniature Thermocouple Connecteur Quick Wire Plug - Socket JM-CU-MQ-FQ Type CU JIS

Connecteur miniature avec broches a bouchon plat. Connexion jab-in facile pour la résiliation rapide. Il suffit de pousser le fil et serrer la vis.

Spécifications**Specifications**

Product Code	XE-1041-001
General Description	Easy jab-in connection for rapid termination
Thermocouple Type	CU JIS
Connector Size	Miniature
Connector Type	Quick Wire Plug & Socket
Colour	White
Max. Temperature	220°C
Pins	Flat Pins
+Positive Contact	Copper
-Negative Contact	Copper
Standards Met	BS EN 50212:1997. RoHS