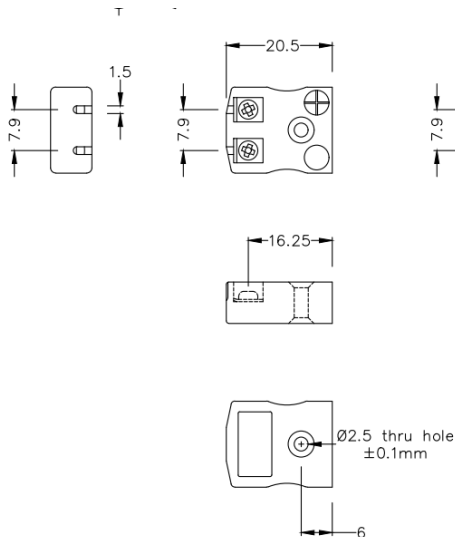


Miniature Quick Wire Connecteur Thermocouple Plug & Socket JM-R / S-MQ + FQ Type R / S JIS



Miniature in-line Plug - Quick Wire
(dimensions in mm)



Miniature in-line Socket - Quick Wire
(dimensions in mm)



Labfacility are the UK's leading manufacturer of Temperature Sensors, Thermocouple Connectors and associated Temperature Instrumentation and stockings of Thermocouple Cables. The Company has been trading since 1971 and is ISO9001 accredited.

Connecteur thermocouple miniature Quick Wire Plug & Socket JM-R / S-MQ + FQ Type R / S JIS

Connecteur miniature avec broches plates. Connexion jab-in facile pour une terminaison rapide. Il suffit de pousser le fil et de serrer la vis.

Spcifications**Specifications**

Product Code	XE-1038-001
General Description	Easy jab-in connection for rapid termination
Thermocouple Type	R/S JIS
Connector Size	Miniature
Connector Type	Quick Wire Plug & Socket
Colour	Black
Max. Temperature	220°C
Pins	Flat Pins
+Positive Contact	Copper
-Negative Contact	Copper Alloy
Standards Met	BS EN 50212:1997. RoHS