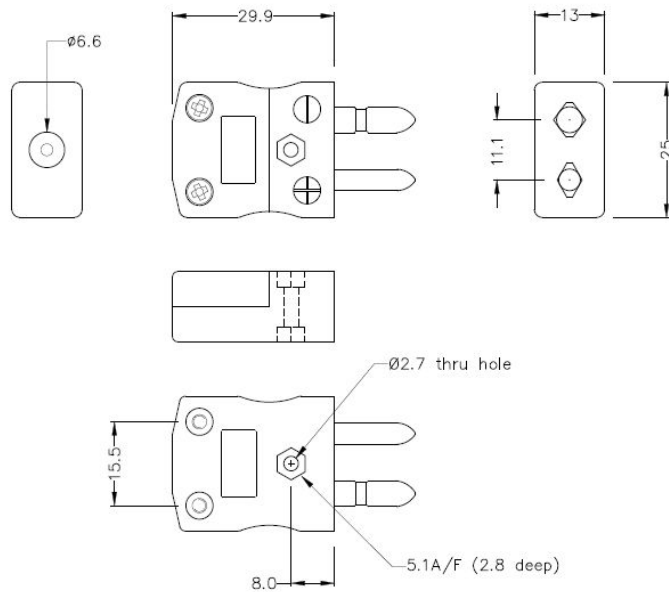
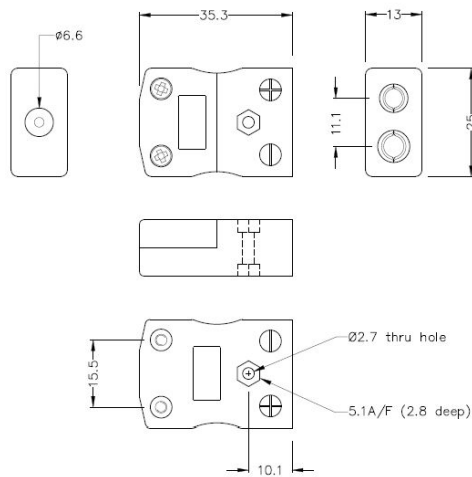


# Plug standard de connecteur de thermocouple - Socket IS-B-M-F Type B IEC



**Standard in-line Plug**  
(dimensions in mm)



**Standard in-line Socket**  
(dimensions in mm)



Labfacility are the UK's leading manufacturer of Temperature Sensors, Thermocouple Connectors and associated Temperature Instrumentation and stockings of Thermocouple Cables. The Company has been trading since 1971 and is ISO9001 accredited.

**Plug standard de connecteur de thermocouple - Socket IS-B-M-F Type B IEC**

Les contacts sont faits a partir de véritables alliages Thermocouple. Convient aux applications industrielles

**Spécifications****Specifications**

<b>Product Code</b>	XE-1047-001
<b>General Description</b>	Contacts are polarised to prevent incorrect connection
<b>Thermocouple Type</b>	B IEC
<b>Connector Size</b>	Standard
<b>Connector Type</b>	Plug & Socket
<b>Colour</b>	Grey
<b>Max. Temperature</b>	220°C
<b>Pins</b>	Solid Round Pins
<b>+Positive Contact</b>	Copper
<b>-Negative Contact</b>	Copper
<b>Standards Met</b>	BS EN 50212:1997. RoHS