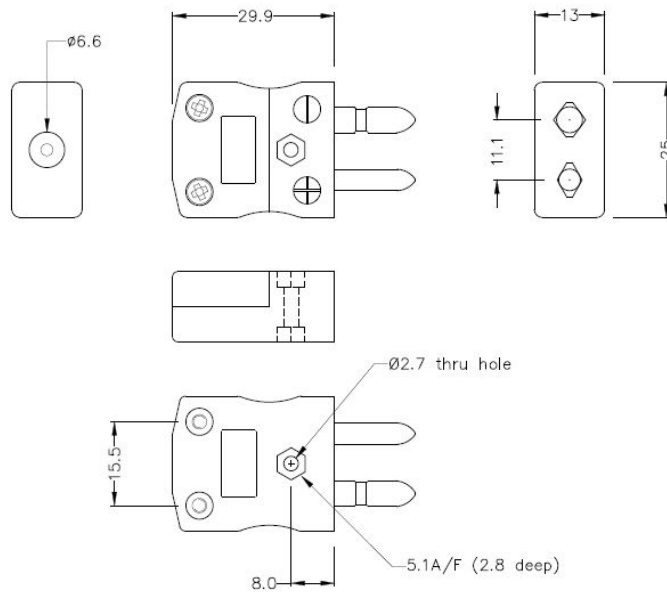
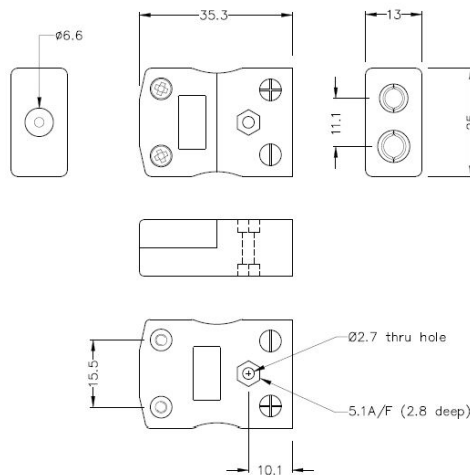


Plug standard de connecteur de thermocouple - Socket IS-T-M-F Type T IEC



Standard in-line Plug
(dimensions in mm)



Standard in-line Socket
(dimensions in mm)



Labfacility are the UK's leading manufacturer of Temperature Sensors, Thermocouple Connectors and associated Temperature Instrumentation and stockings of Thermocouple Cables. The Company has been trading since 1971 and is ISO9001 accredited.

Plug standard de connecteur de thermocouple - Socket IS-T-M-F Type T IEC

Les contacts sont faits a partir de véritables alliages Thermocouple. Convient aux applications industrielles

Spécifications**Specifications**

Product Code	XE-1044-001
General Description	Contacts are polarised to prevent incorrect connection
Thermocouple Type	T IEC
Connector Size	Standard
Connector Type	Plug & Socket
Colour	Brown
Max. Temperature	220°C
Pins	Solid Round Pins
+Positive Contact	Copper
-Negative Contact	Copper Nickel
Standards Met	BS EN 50212:1997. RoHS