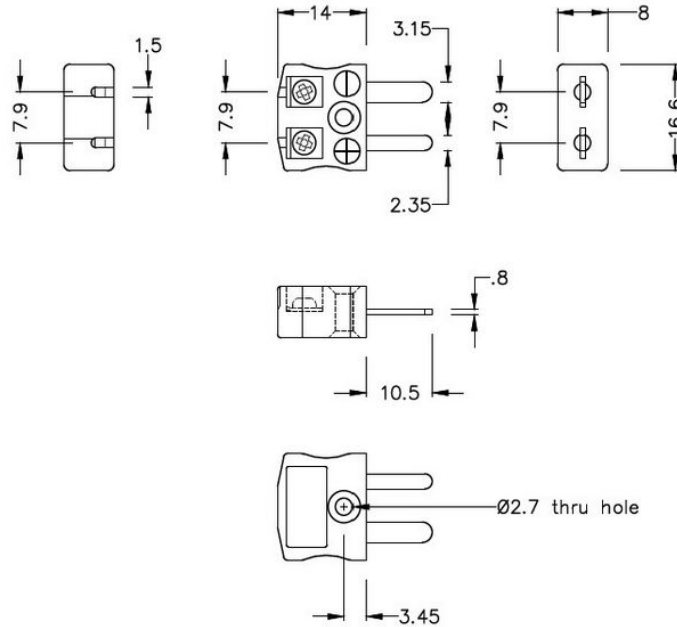
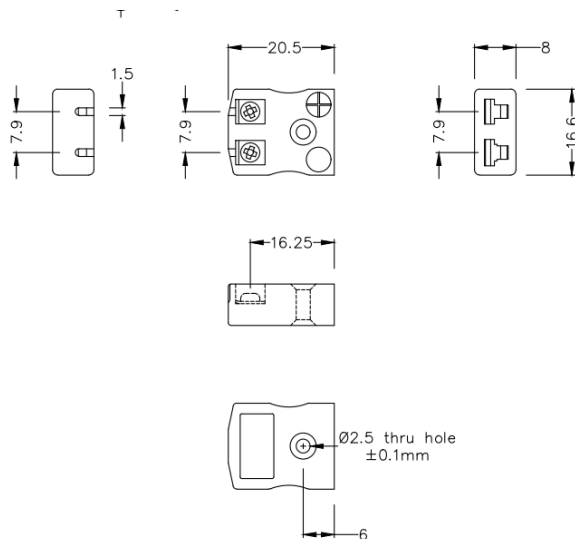


# Miniature Quick Wire Connector Thermocouple Plug & Socket IM-N-MQ + FQ Type N IEC



**Miniature in-line Plug - Quick Wire**  
(dimensions in mm)



**Miniature in-line Socket - Quick Wire**  
(dimensions in mm)



Labfacility are the UK's leading manufacturer of Temperature Sensors, Thermocouple Connectors and associated Temperature Instrumentation and stockings of Thermocouple Cables. The Company has been trading since 1971 and is ISO9001 accredited.

**Connecteur de thermocouple miniature Quick Wire Plug & Socket IM-N-MQ + FQ Type N IEC**

Connecteur miniature avec broches plates. Connexion jab-in facile pour une terminaison rapide. Il suffit de pousser le fil et de serrer la vis.

**Spcifications****Specifications**

<b>Product Code</b>	XE-1010-001
<b>General Description</b>	Easy jab-in connection for rapid termination
<b>Thermocouple Type</b>	N IEC
<b>Connector Size</b>	Miniature
<b>Connector Type</b>	Quick Wire Plug & Socket
<b>Colour</b>	Pink
<b>Max. Temperature</b>	220°C
<b>Pins</b>	Flat Pins
<b>+Positive Contact</b>	Nickel / Chromium / Silicon
<b>-Negative Contact</b>	Nickel Silicon
<b>Standards Met</b>	BS EN 50212:1997. RoHS