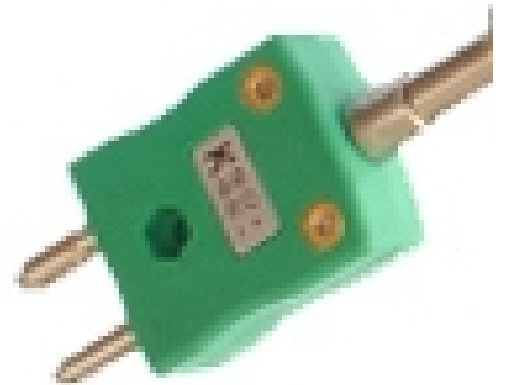
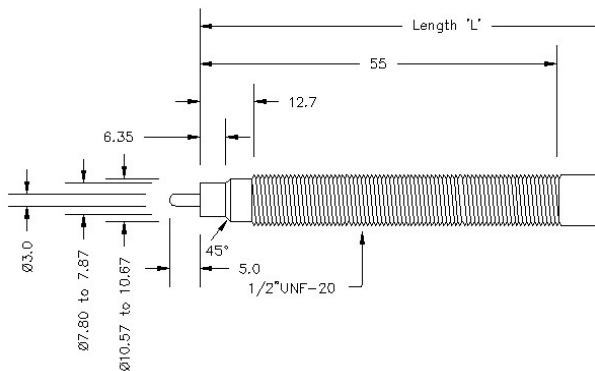


## Thermocouple boulon de fusion IEC - Type K, J



Labfacility are the UK's leading manufacturer of Temperature Sensors, Thermocouple Connectors and associated Temperature Instrumentation and stockings of Thermocouple Cables. The Company has been trading since 1971 and is ISO9001 accredited.

## Specifications

<b>General Description</b>	Designed to withstand high pressure applications experienced with molten plastics & polymers
<b>Sensor Type</b>	Typically used in plastics extruders and injection moulders
<b>Thermocouple Type</b>	K or J
<b>Thermocouple Junction</b>	Insulated hot junction
<b>Probe Diameter</b>	3mm
<b>Probe Length</b>	5mm (76mm or 152mm bolt lengths)
<b>Sheath Material</b>	Stainless steel
<b>Termination Type</b>	Standard plug termination (round pin)
<b>Max. Temperature</b>	+500°C
<b>Tolerance</b>	Tolerance & colour code in accordance with IEC-584 specification
<b>Thread</b>	1/2"UNF-20 thread